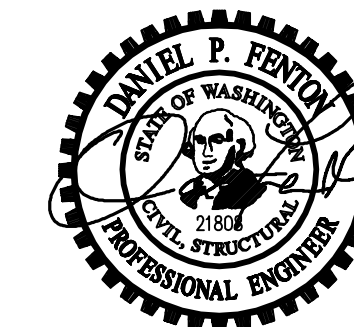




QUANTUM
CONSULTING ENGINEERS

1511 THIRD AVENUE
SUITE 323
SEATTLE, WA 98101
TEL 206.557.3900
FAX 206.557.3901
www.quantumco.com

SEAL:



PROJECT:

Tacoma Musical Playhouse

7116 6TH AVE
TACOMA, WA 98406

SHEET NOTES:

NO.	REVISIONS	DATE	BY
		1/30/12	

NO.	DESCRIPTION	DATE	BY

ISSUES: ○ REVISIONS: △

P.M. DPF

P.E. DPF

DRAWN BY: SC

SCALE: AS SHOWN

DATE: 12/16/11

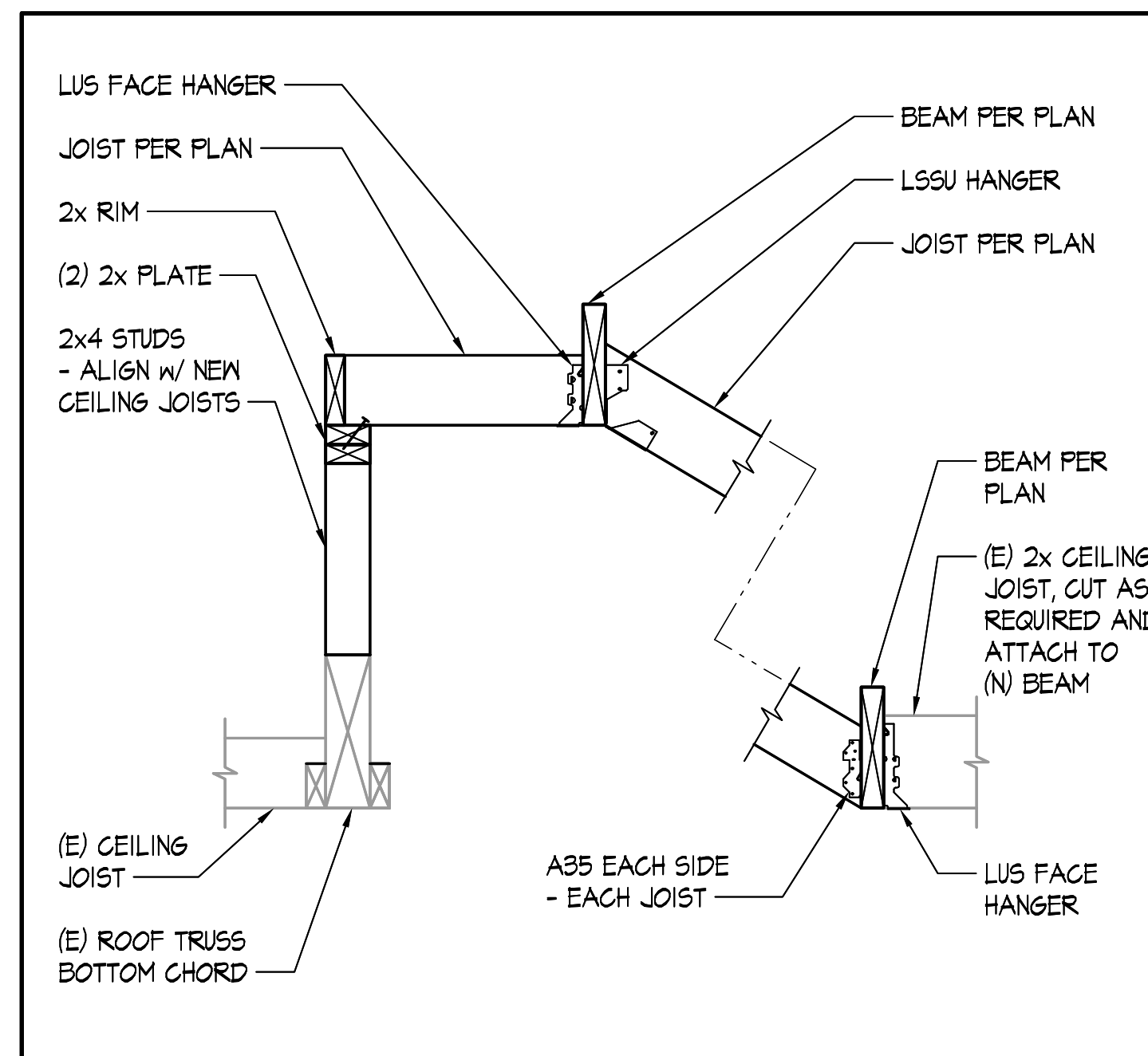
JOB NO. 10045.01

SHEET TITLE:

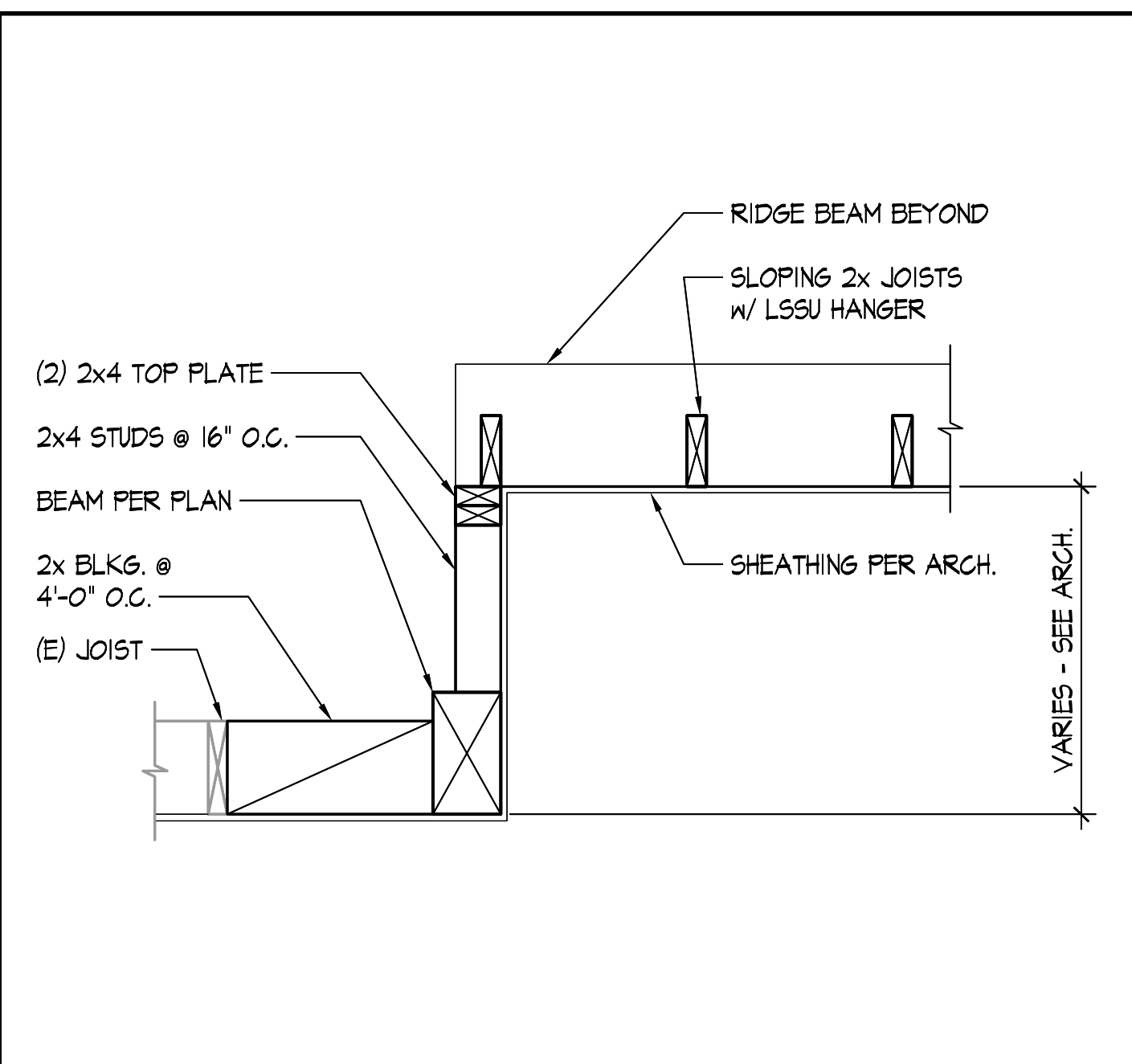
DETAILS

SHEET NO.

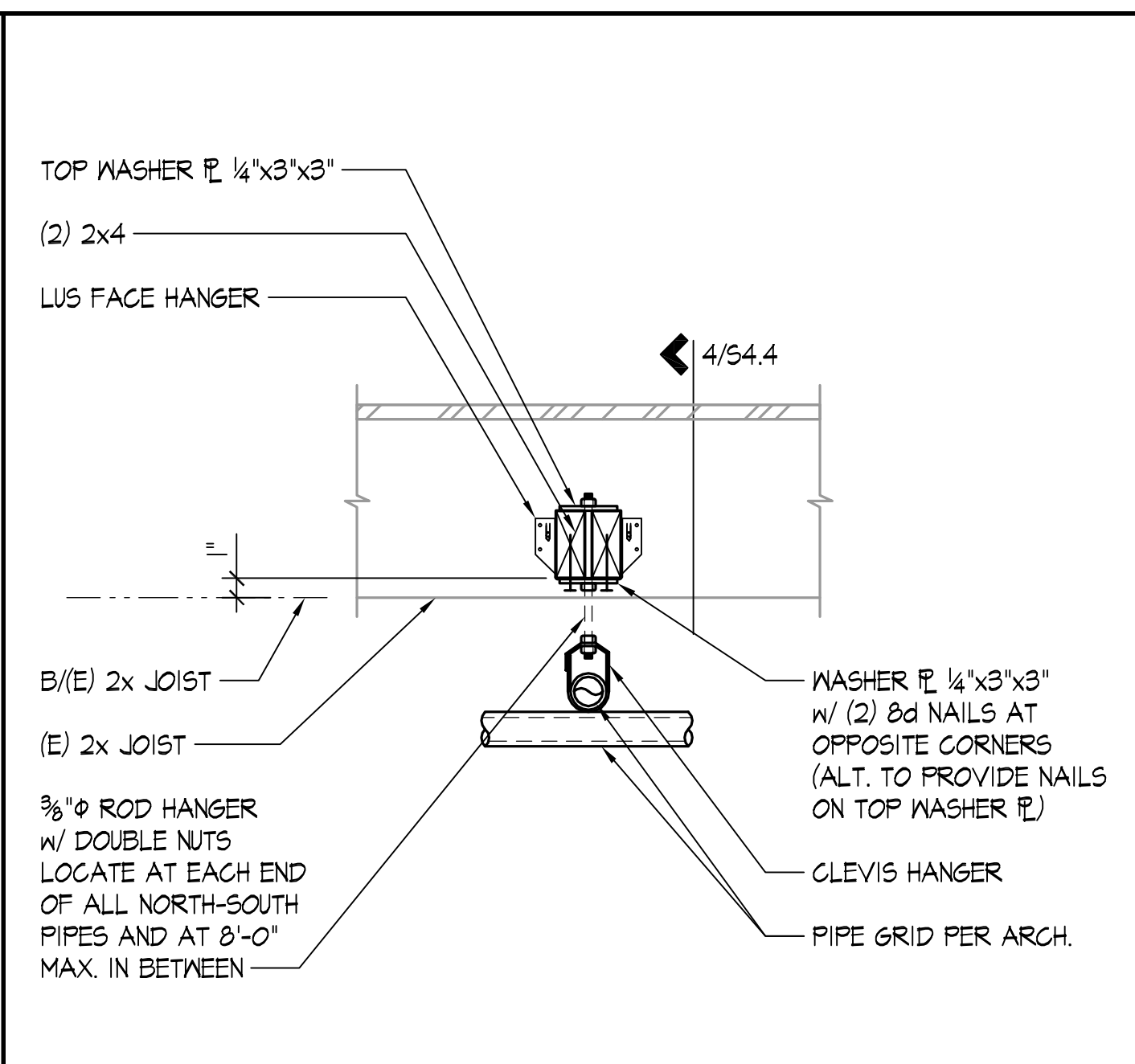
S4.4



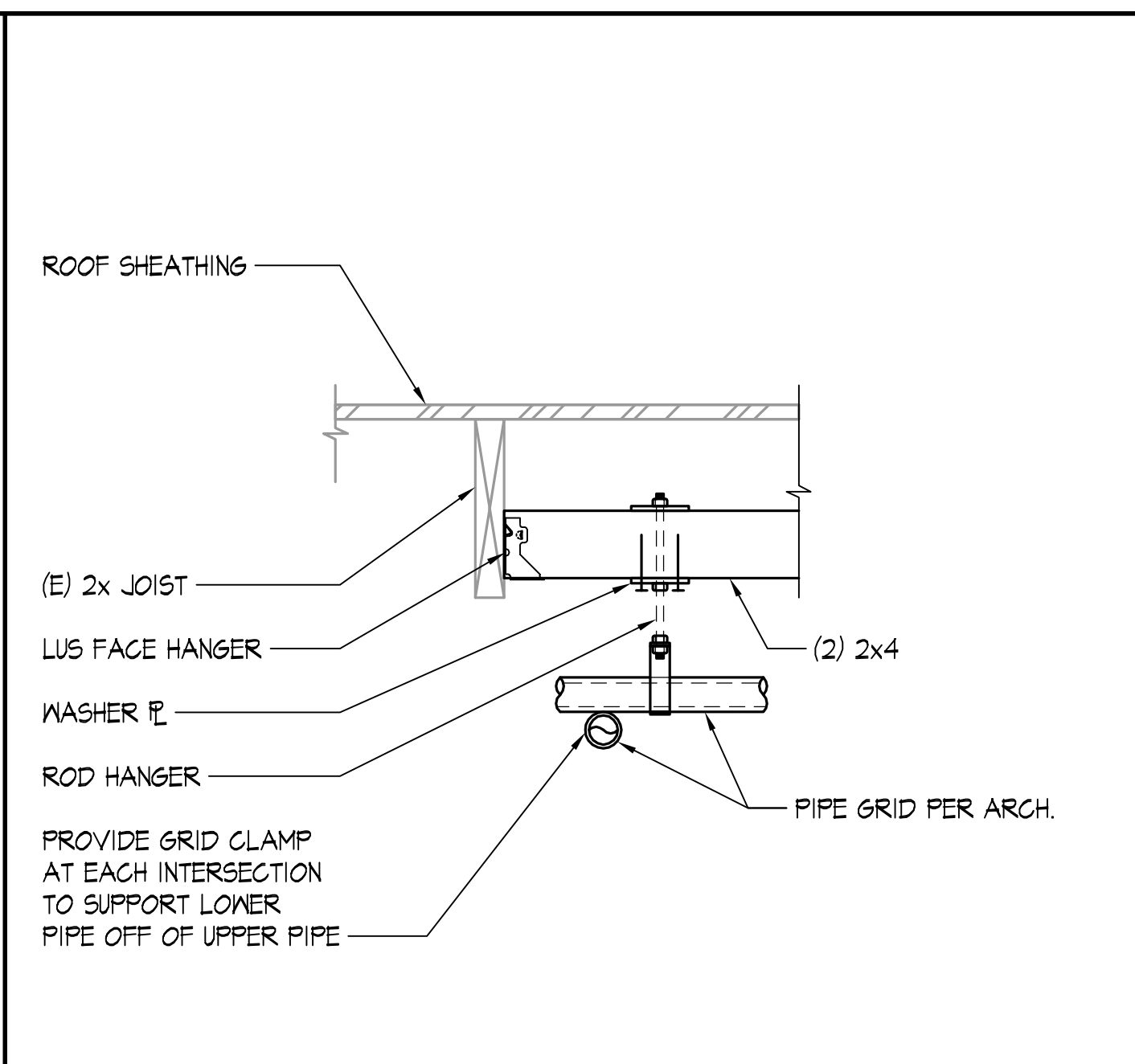
DETAIL SCALE: 1"=1'-0" 1



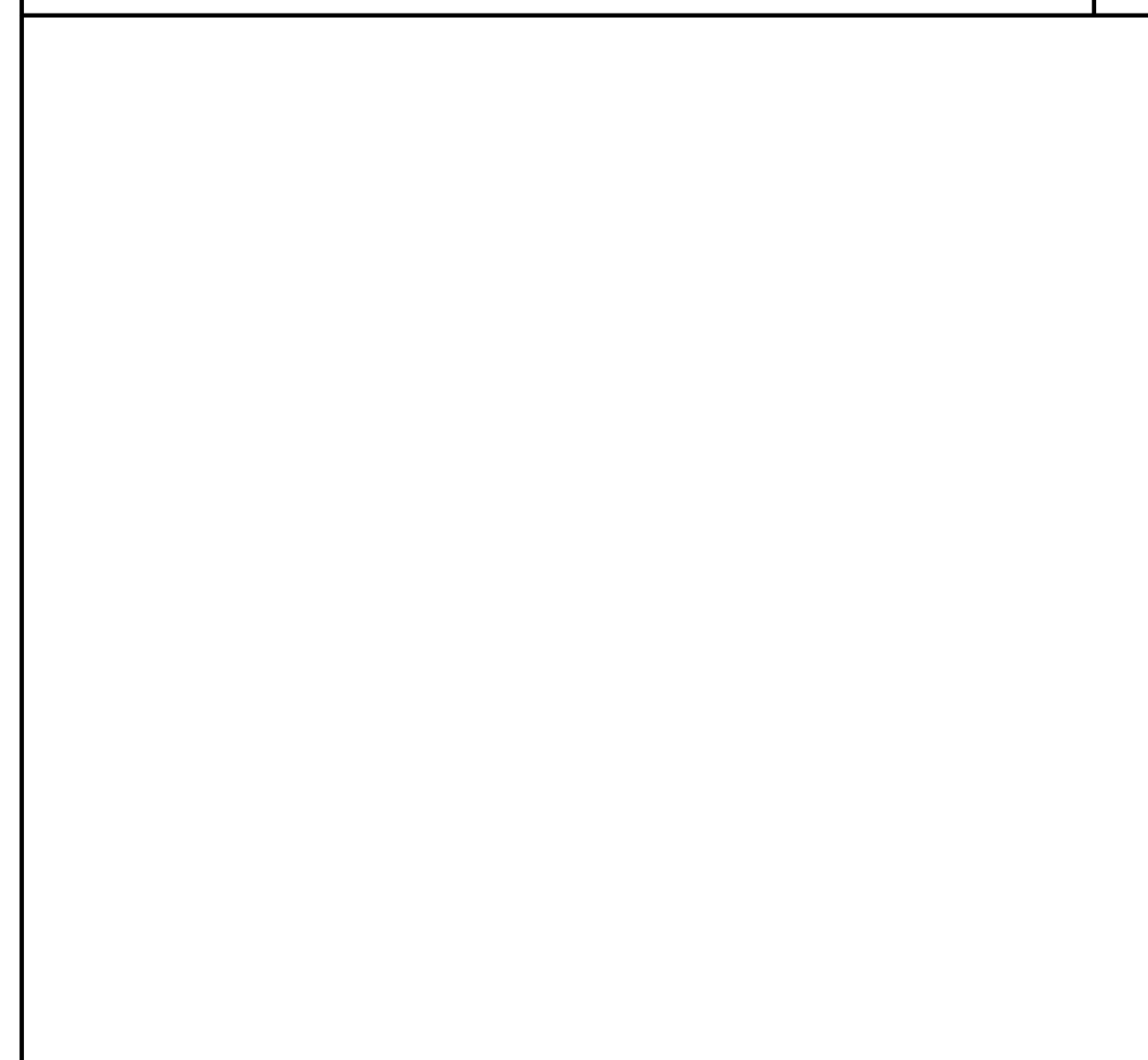
DETAIL SCALE: 1"=1'-0" 2



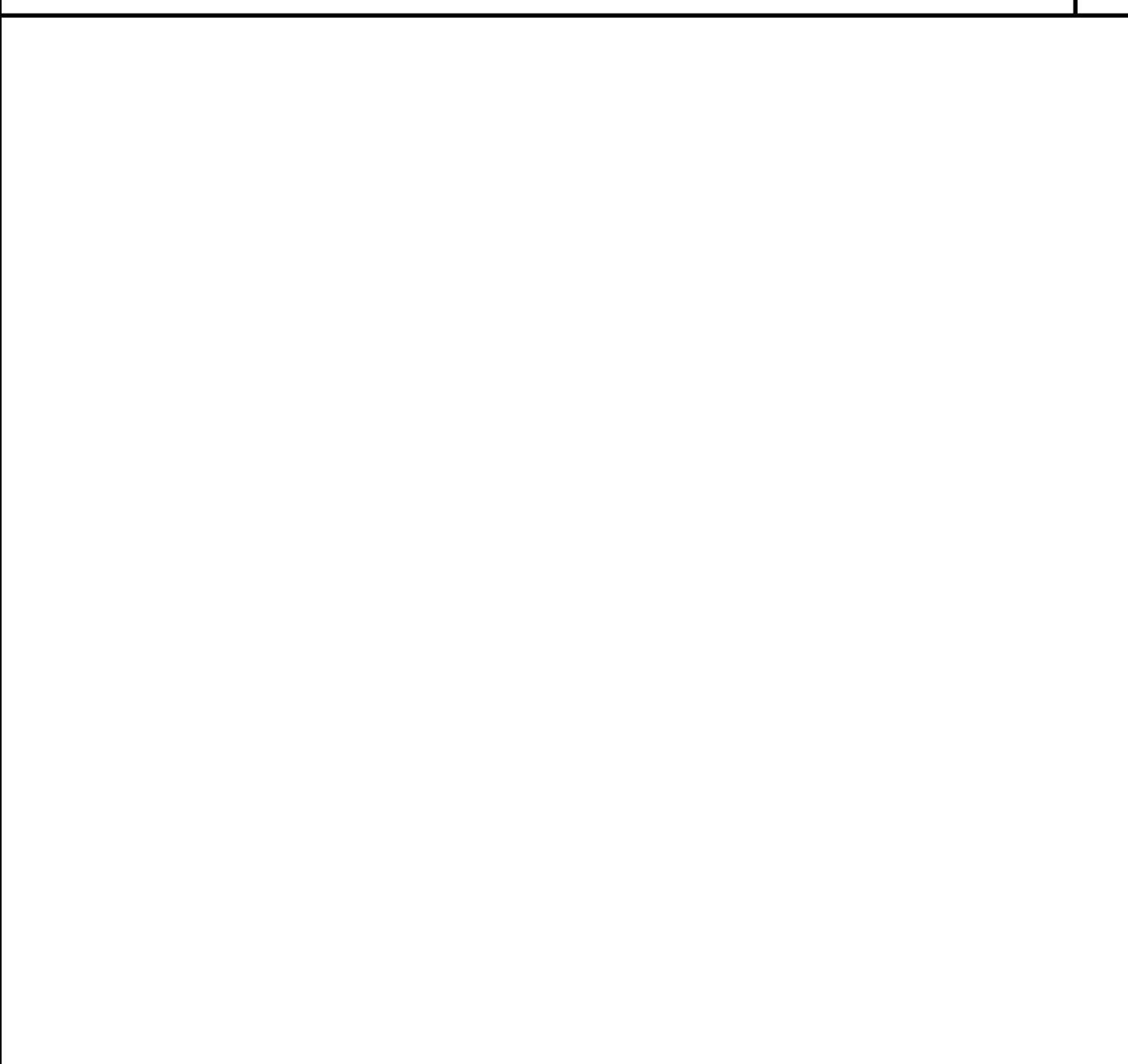
DETAIL SCALE: 1 1/2"=1'-0" 3



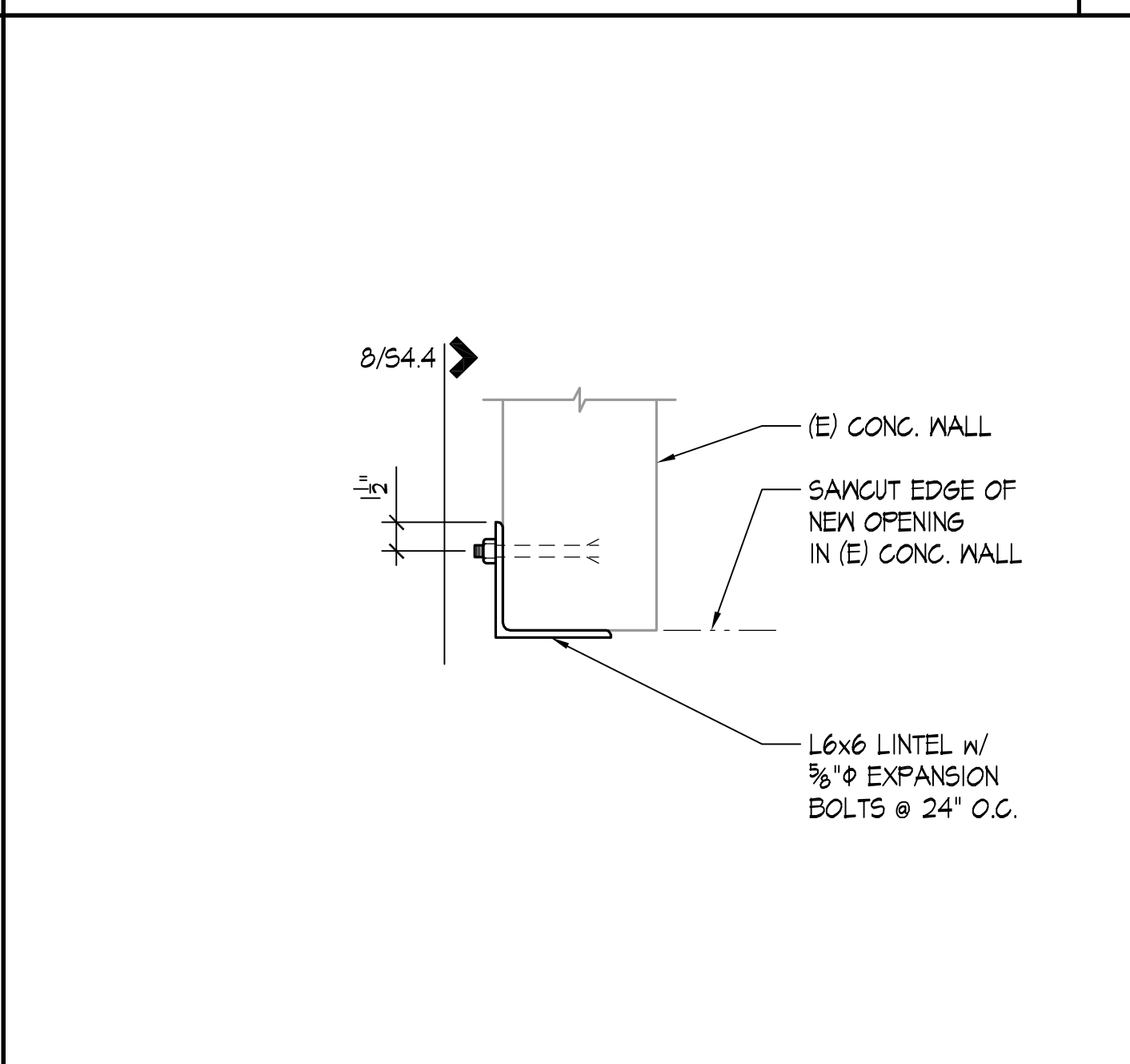
DETAIL SCALE: 1 1/2"=1'-0" 4



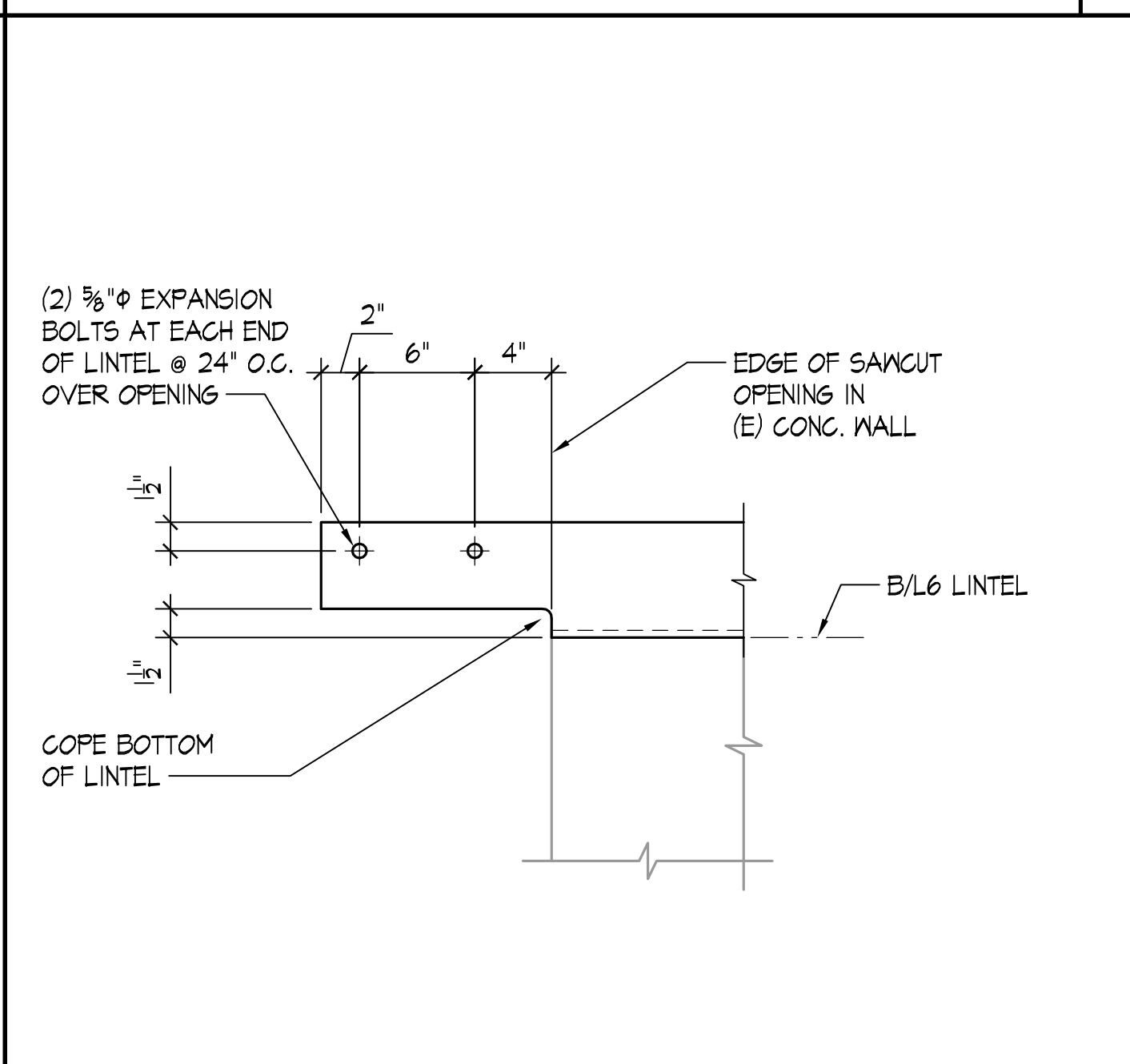
DETAIL SCALE: 1"=1'-0" 5



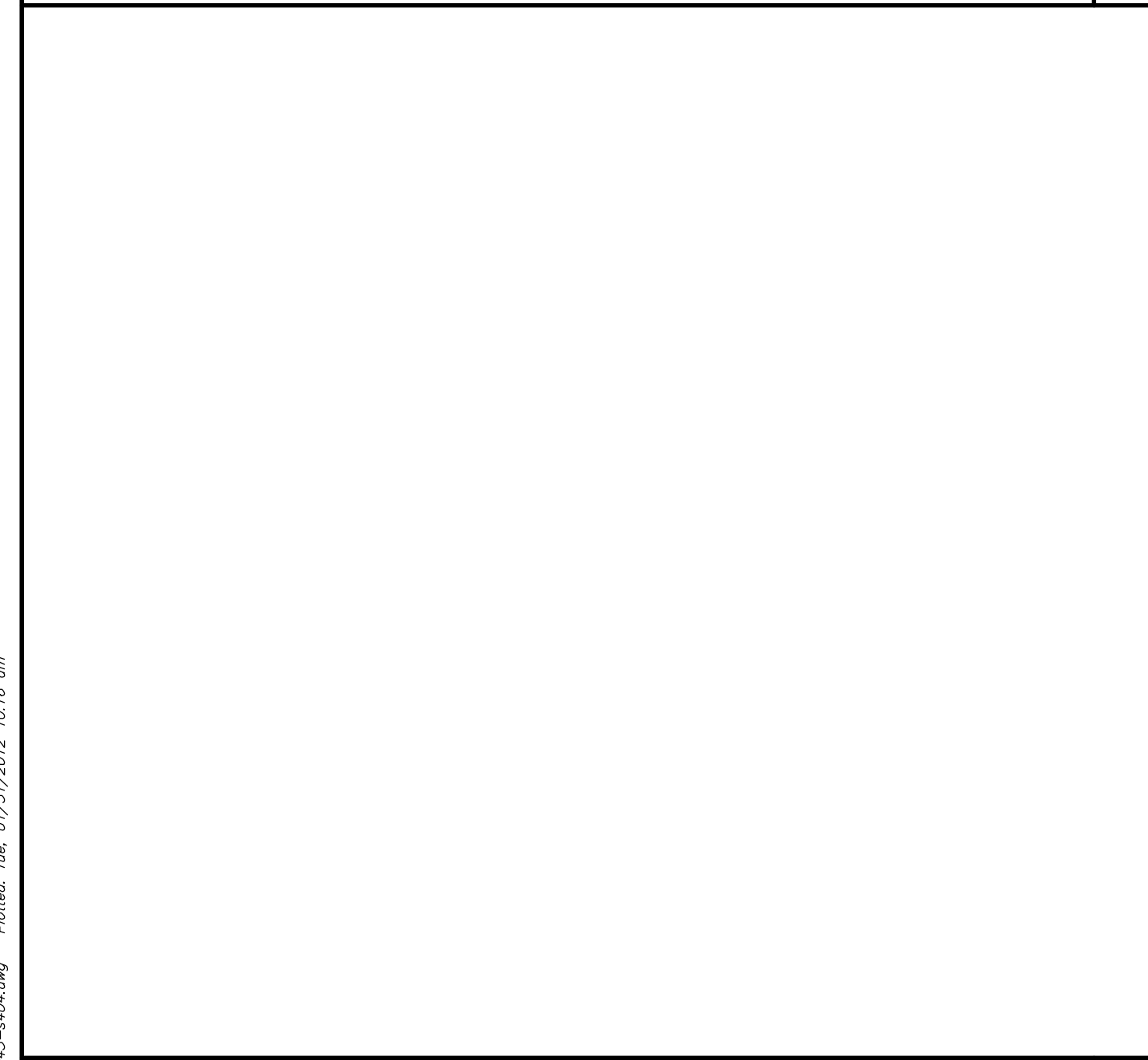
DETAIL SCALE: 1"=1'-0" 6



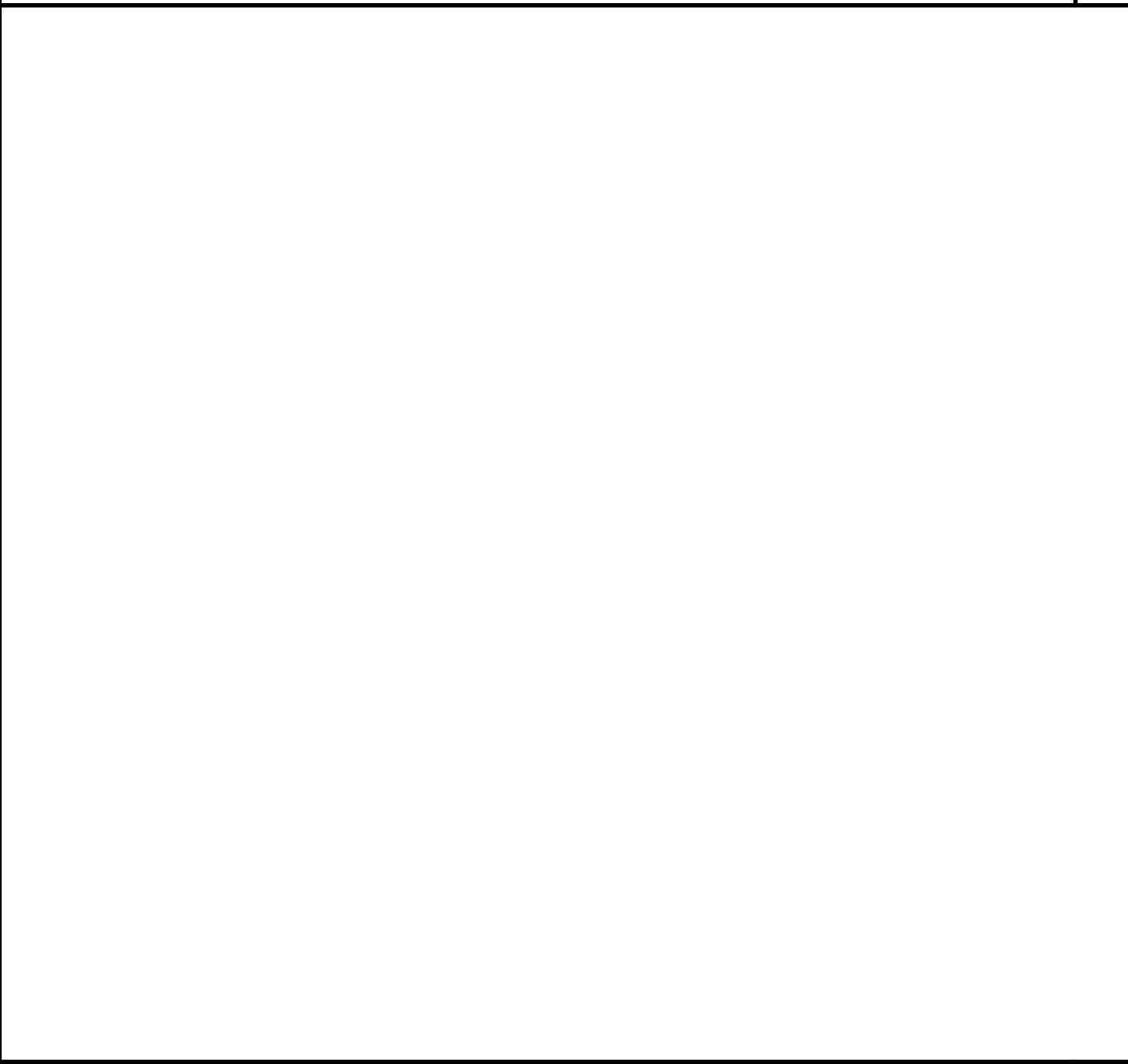
DETAIL SCALE: 1 1/2"=1'-0" 7



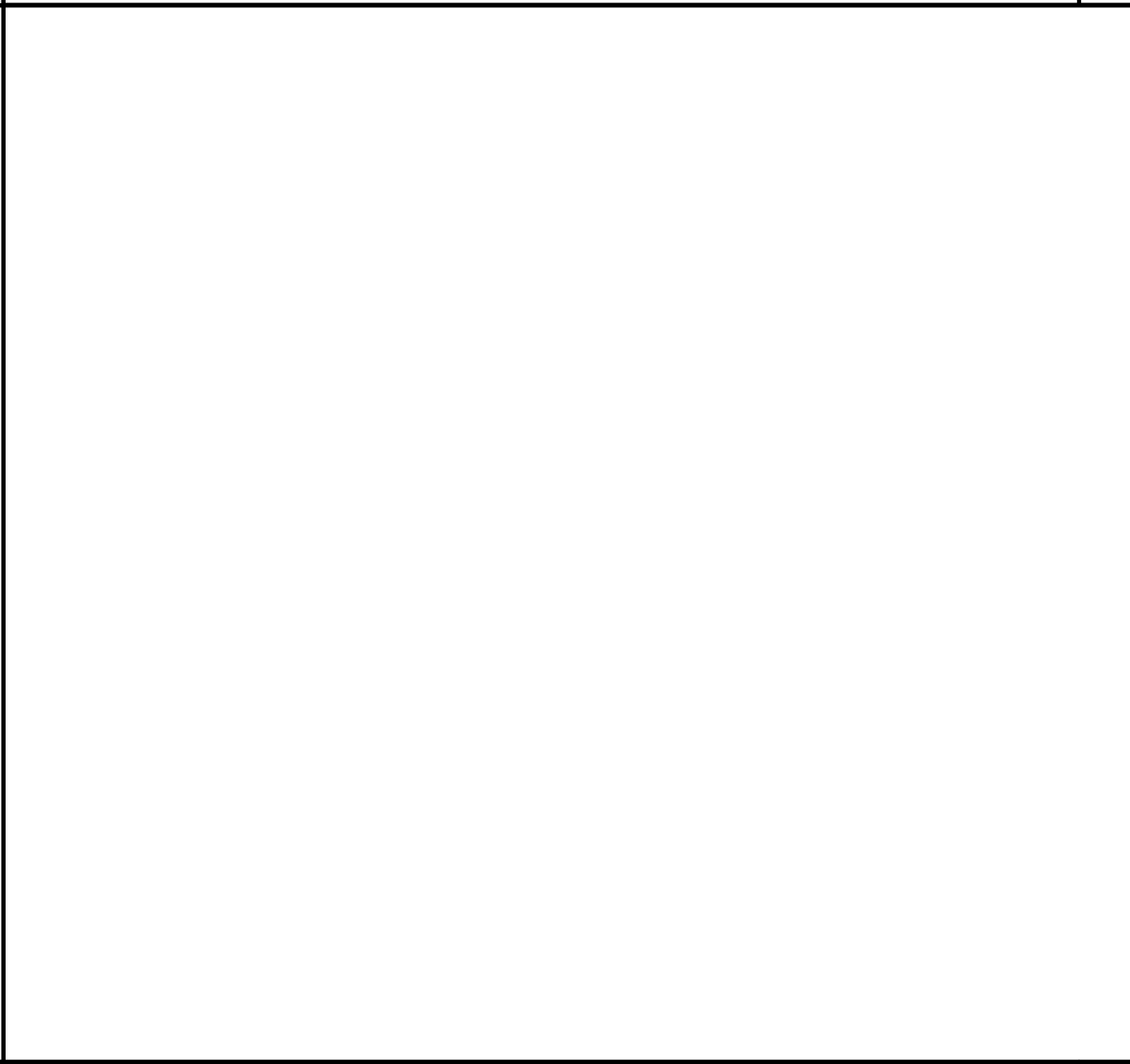
DETAIL SCALE: 1 1/2"=1'-0" 8



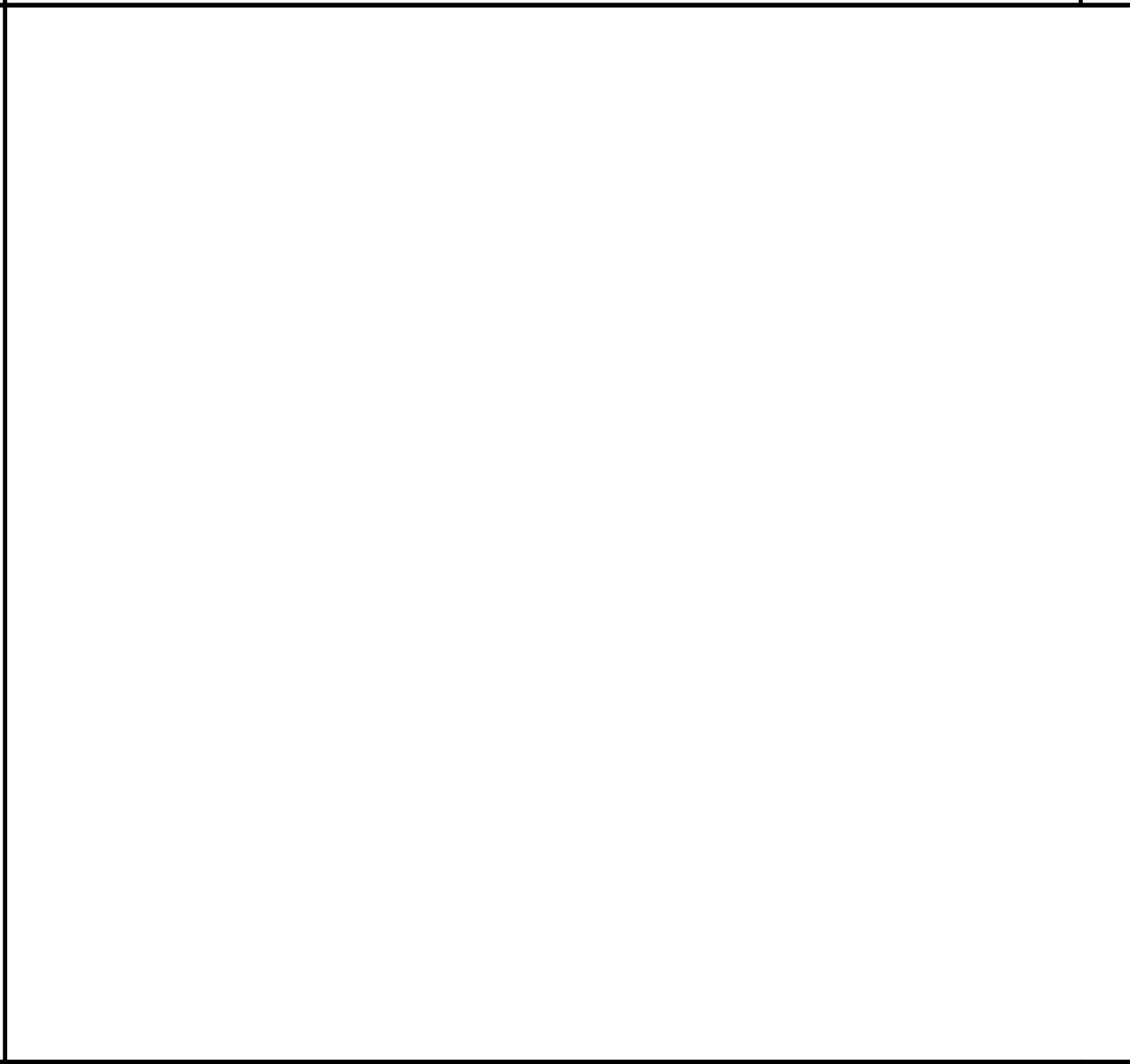
DETAIL SCALE: 1"=1'-0" 9



DETAIL SCALE: 1"=1'-0" 10



DETAIL SCALE: 1"=1'-0" 11



DETAIL SCALE: 1"=1'-0" 12